

Room Control System

AR-323D/AR-888W/AR-CPI/CPO-888/AR-SW-888EU/US



MASTER Card
AR-323D



Unlocking Key
AR-323D



High Encryption
AR-323D/AR-888W



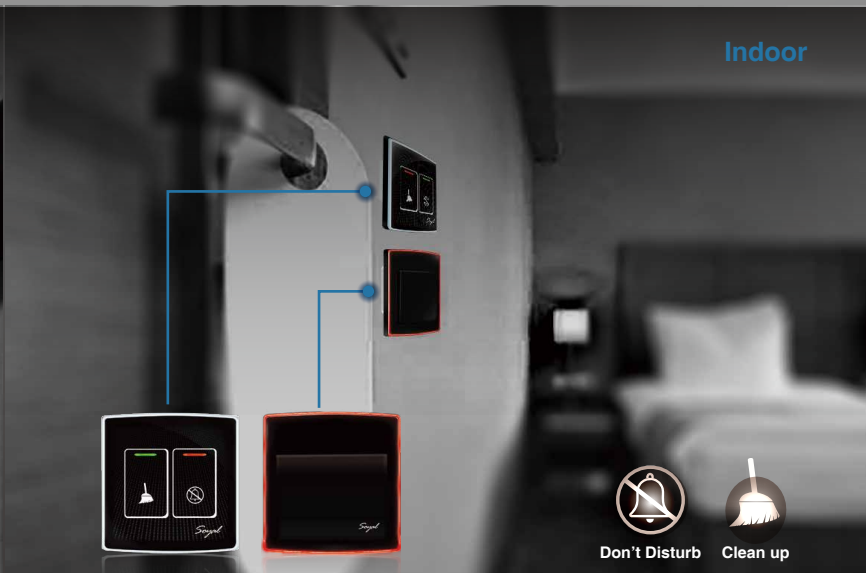
Bi-color LED
AR-CPI-888/AR-CPO-888
AR-888W



Illuminated Touch-Panel
AR-CPI-888/AR-CPO-888



Power Saving
AR-888W



MIFARE Door Lock/Smart Card Reader & Holder/ Door Bell PB & Server Panel/Power Switch

AR-323D/AR-888W/AR-CPI-888/AR-CPO-888/AR-SW-888EU/US

MIFARE Door Lock AR-323D



If do not have fitting size
welcome to contact us.

Lock Type	US			
Door Thickness	40mm-44mm	50mm-54mm	60mm-64mm	70mm-74mm
	45mm-49mm	55mm-59mm	65mm-69mm	75mm-80mm
Opening method	LH/ LHR/ RH/ RHR			
N.W.(kg)	3.9kg			
Material	Metal			
Operating Temperature	-20 °C to +50 °C			
Operating Humidity	15% ~ 95%RH			
Unlock	MIFAREKey, Smart Card			
Frequency	MIFARE ,13.56MHz (ISO14443A)			
Reading Range	0~2cm			
Respond Time	<1.5 Sec.			
Low Battery Voltage Warning	Yes(<5.3VDC)			
Low Battery Voltage Solution	Capability to connect an external 9VDC power supply			
Supply Voltage	Stand-Alone	6VDC(LR6-AA x 4, 2500MAH)		
	Networking	12VDC(AR-321DAX1provides)		
Power Consumption	Stand-Alone	<80uA		
	Networking	<50mA		
Battery Life	Stand-Alone	About 8 month (6 times per day)		
	Networking	Not recommend using battery		
Accessory	Stand-Alone	Master Card x2, battery LR 6-AA x4		
	Networking	Networking Module for AR-323D		

Smart Card Reader & Holder AR-888W



Frequency	13.56MHz
User Capacity	1024/ Unlimited(SOR only)
Voltage	12-24VDC
Power Consumption	<5W
Communication Interface	RS-485
Operating Temperature	-20 °C to +60 °C
Compliance	Standar : ISO14443A Customization: ISO14443B /DESFire/ISO15693/FeliCa™
LED	Green LED (OK) , Red LED (Error)
I/O	4 DI & 1Relay Form C , 3 Transistor outputs(open Collector)
Color	Black
Dimensions(mm)	91(L)X86(W)X 35(H) / 20(H:Install kit) / 9(H:Flush Mounted)
Material	PC

Door Bell PB Server Panel

AR-CPO/CPI-888



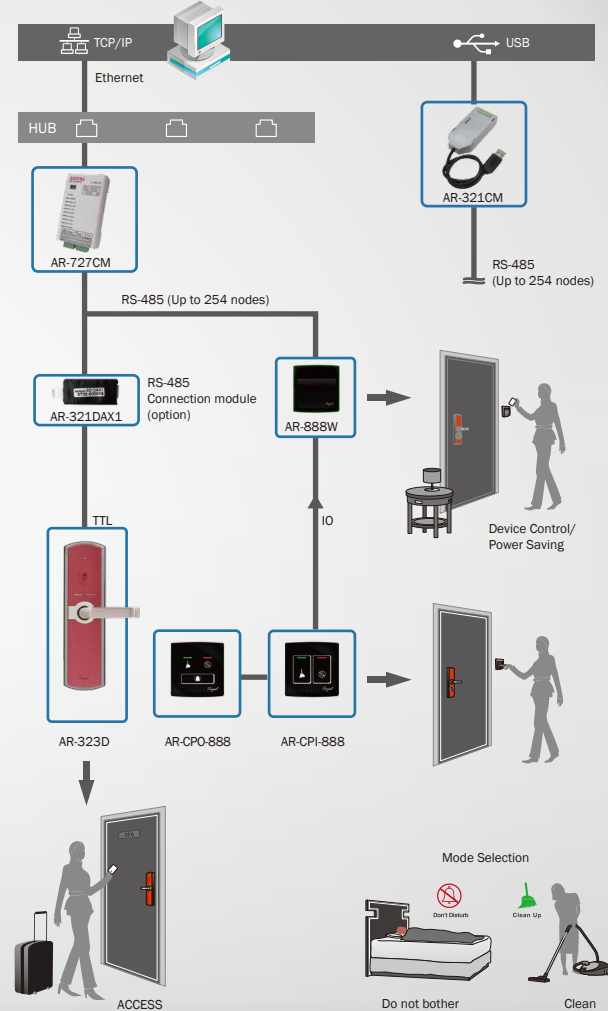
Power Switch

AR-SW-888EU/US



Voltage	9-16VDC	12VDC
Indicator	CPO:3LED /CPI:2LED	EU:2 / US:3
Relay	24VDC / 7A , 240VAC / 7A	125VDC,5A 250VAC/30VDC, 3A
Do Not Disturb LED	Low Active / 20mA max.	—
Clean LED	Low Active / 20mA max.	—
Touch panel	CPO:Door Bel CPI:Clean-up/Do Not Disturb	EU:2 / US:3

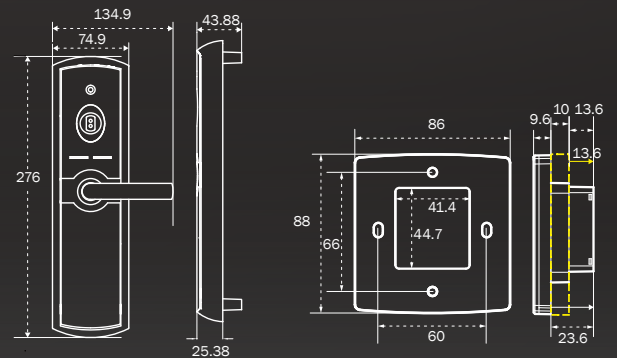
Product structure



Dimension(mm)

AR-323D

AR-888W/AR-CPO/CPI-888



→ Depth of Flush Mounted ← Dimension
→ Depth with Easy Install Kit ← Easy Install Kit(By order)