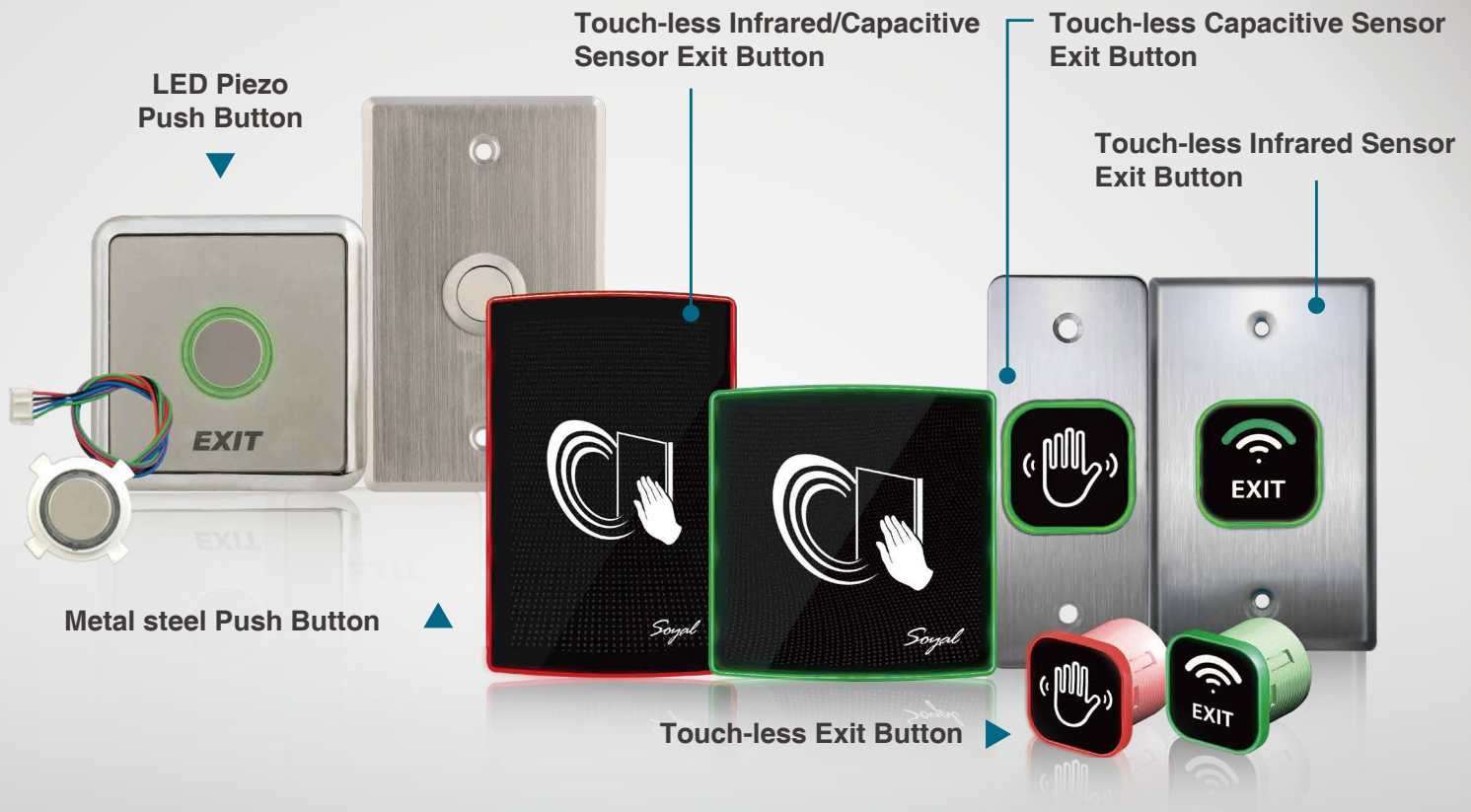


# Push Button Series

Stainless steel / LED Piezo / Touch-less (Capacitive/Infrared)



**Anti-Light Interference**

Capacitive Sensor Exit Button



**Bi-color LED**

Capacitive Sensor Push Button



**Small Size**

AR-PBI-MDL



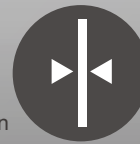
**Long Sensing Distance**

Infrared Sensor Exit Button



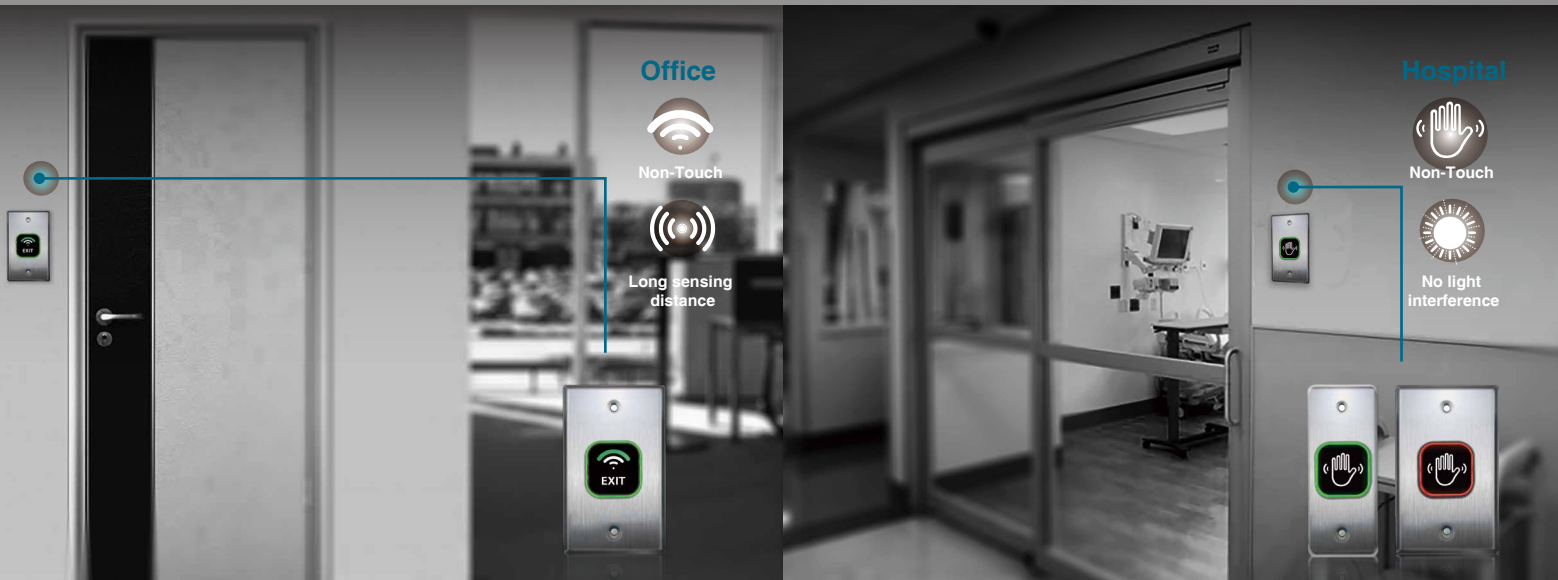
**Safety and Health**

Infrared Sensor Exit Button/  
Capacitive Sensor Push Button



**Narrow Model**

AR-PB-1A/AR-PB-6A/AR-PBI-6B  
AR-PBI-MDL



# Push Button Series

Stainless steel / LED Piezo / Touch-less (Capacitive/Infrared)

Touch-less Capacitive/Infrared Sensor Exit Button

AR-PBI-6B/7B/8B



LED Piezo Push button

AR-PBI-888EU/US



Stainless steel Push button

AR-PB-6A/7A/8A



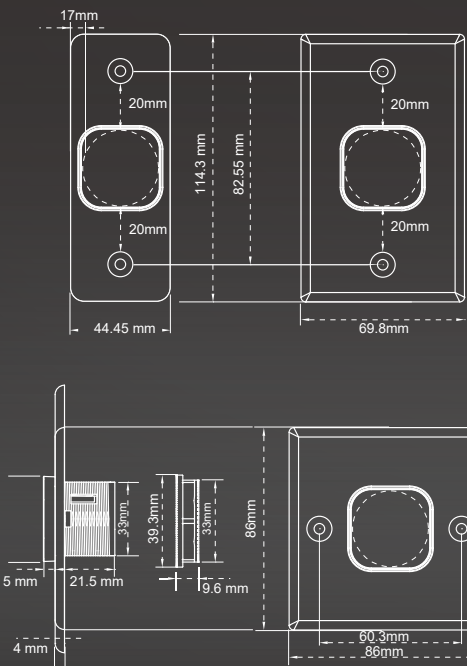
AR-PB-1A/2A



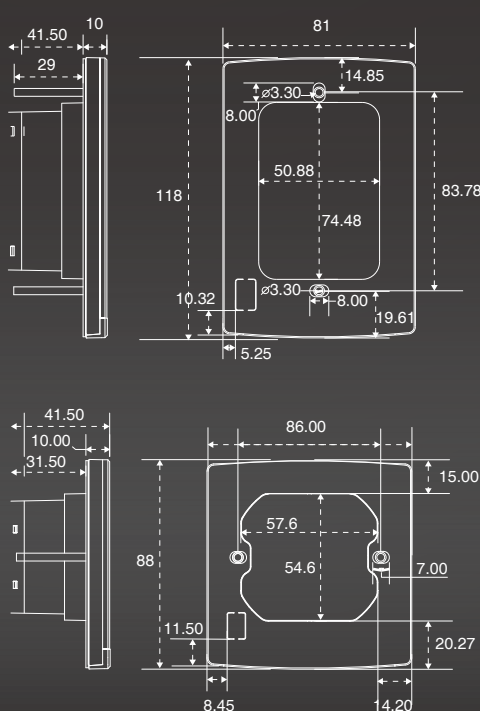
Detection Distance	2 cm(CAP) / 5-20 cm(IR)		2 cm(CAP) / 5-20 cm(IR)	0 cm (Piezo)	0 cm (Push)
Voltage	DC 9~15V		DC 9~15V	None/DC 12V(LED)	None
Current	CAP	DC 12V Standby:25mA / Max. during activation: 50mA	DC 12V Standby:25mA / Max. during activation: 100mA	LED : 12VDC / 10mA	
	IR	DC 12V Standby:35mA / Max. during activation: 65mA	DC 12V Standby:35mA / Max. during activation: 65mA		
Operating Temperature	CAP	0 °C ~ +45 °C	0 °C ~ +45 °C	-20 °C ~ +60 °C	-20 °C ~ +60 °C
	IR	-20 °C ~ +60 °C	-20 °C ~ +60 °C		
Lifespan	Over 100,000 times		Over 100,000 times	Approx. 100,000 times	Approx. 100,000 times
Relay Output	30VDC 1A / 125VAC 0.3A		30VDC 1A / 125VAC 0.3A	DC 5 ~ 24V / 100 mA	
Protection Standard	NO		IP65	IP56	NO
Indicator	CAP	BR : Blue-Red / GR : Green-Red	Edge LED: Green/Red (Changeable)	BR : Blue-Red / GR : Green-Red	
	IR	White LED			
Housing Material	PC + T1.0 Stainless Steel		PC	PC	Metal
Color	Body:Fog white Lable: Black (Customization Available)		Black	Silver	
Dimensions(mm)	MDL:37(L)X37(W)X8(H)/30(H)		US: 118(L)X81(W)X9(H)/34(H) EU: 88(L)X86(W)X9(H)/34(H)	6A: 115(L)X45(W)X8(H)/30(H)	
	AR-PBI-6B:115(L)X45(W)X31(H)			7A: 115(L)X70(W)X9(H)/30(H)	
	AR-PBI-7B:115(L)X70(W)X31(H)			8A: 86(L)X86(W)X9(H)/30(H)	
	AR-PBI-8B:86(L)X86(W)X31(H)			1A: 115(L)X42(W)X5(H) 2A: 115(L)X70(W)X6(H)	
Weight(g)	MDL:20±10	PBI-7B:68±10	US: 120±10 / EU: 100±10	PBI-6A:27±10	PBI-8A:37±10
	PBI-6B:89±10	PBI-8B:64±10		PBI-7A:38±10	PB-1A:74±10 PB-2A:110±10

## Dimension(mm)

AR-PBI-6B/7B/8B



AR-PBI-888(EU/US)



AR-PB-6A/7A/8A

